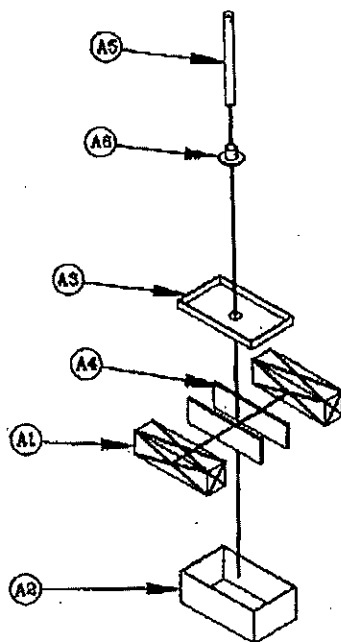
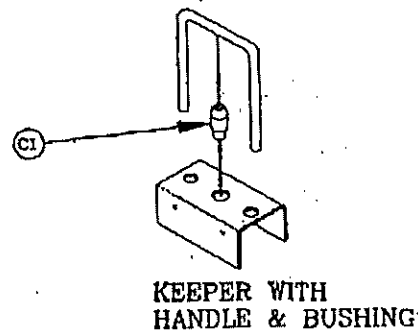


UNIT ASSEMBLY

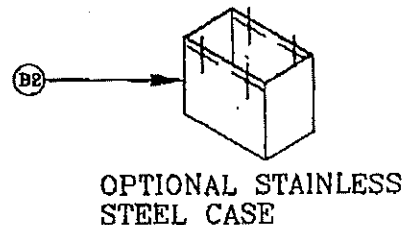


MAGNET BOX ASSEMBLY

REV. JANUARY 2006
FILE: 70 SERVIC DISC\70SHERT.dwg



KEEPER WITH HANDLE & BUSHING



OPTIONAL STAINLESS STEEL CASE

MULTILIFT PARTS LIST

CERAMIC STYLE DESCRIPTION	MODEL NO.				
	71	72	74	76	78
	NO. REQ'D	NO. REQ'D	NO. REQ'D	NO. REQ'D	NO. REQ'D
(A) MAGNET BOX ASS'Y	1	1	1	1	1
(A1) MAGNETS	1	2	4	8	8
(A2) MAGNET BOX	1	1	1	1	1
(A3) MAGNET BOX COVER	1	1	1	1	1
(A4) SPACERS	-	2	-	2	3
(A5) RELEASE ROD	1	1	1	1	1
(A6) "TEE" NUT	1	1	1	1	1
(B1) LOWER CASE-NYLON	1	1	1	-	-
(B2) LOWER CASE-ST. STL. CLAD NYLON (200°F) ORDER AS "SS"	1	1	1	-	-
(B3) LOWER CASE-ALL ST. STL. (400°F) ORDER AS "HHSS"	1	1	1	1	1
(C) KEEPER W/HANDLE AND BUSHING	1	1	1	1	1
(C1) BUSHING	1	1	1	1	1
(D) SPRING	1	1	1	2	2
(E) RELEASE HANDLE	1	1	1	1	1
(F) 10-32 x 1/2 SCREWS	4	4	4	6	6
(G) LOWER CASE NUTS	4	4	4	6	8

ALNICO STYLE DESCRIPTION	71		72		74	
	NO. REQ'D	PRICE EACH	NO. REQ'D	PRICE EACH	NO. REQ'D	PRICE EACH
ALNICO MAGNET	1		2		2	

ALL OTHER PARTS ARE COMMON TO BOTH CERAMIC AND ALNICO STYLE.

REPAIR LABOR COST PER UNIT